



North Industrial Area P.O.Box 268 Or-Aqiva 30600 **ISRAEL**

Tel: + 972 (0) 462 63891 Fax: + 972 (0) 4626 3715

E-mail: rfq@time.co.il URL: http://www.time.co.il

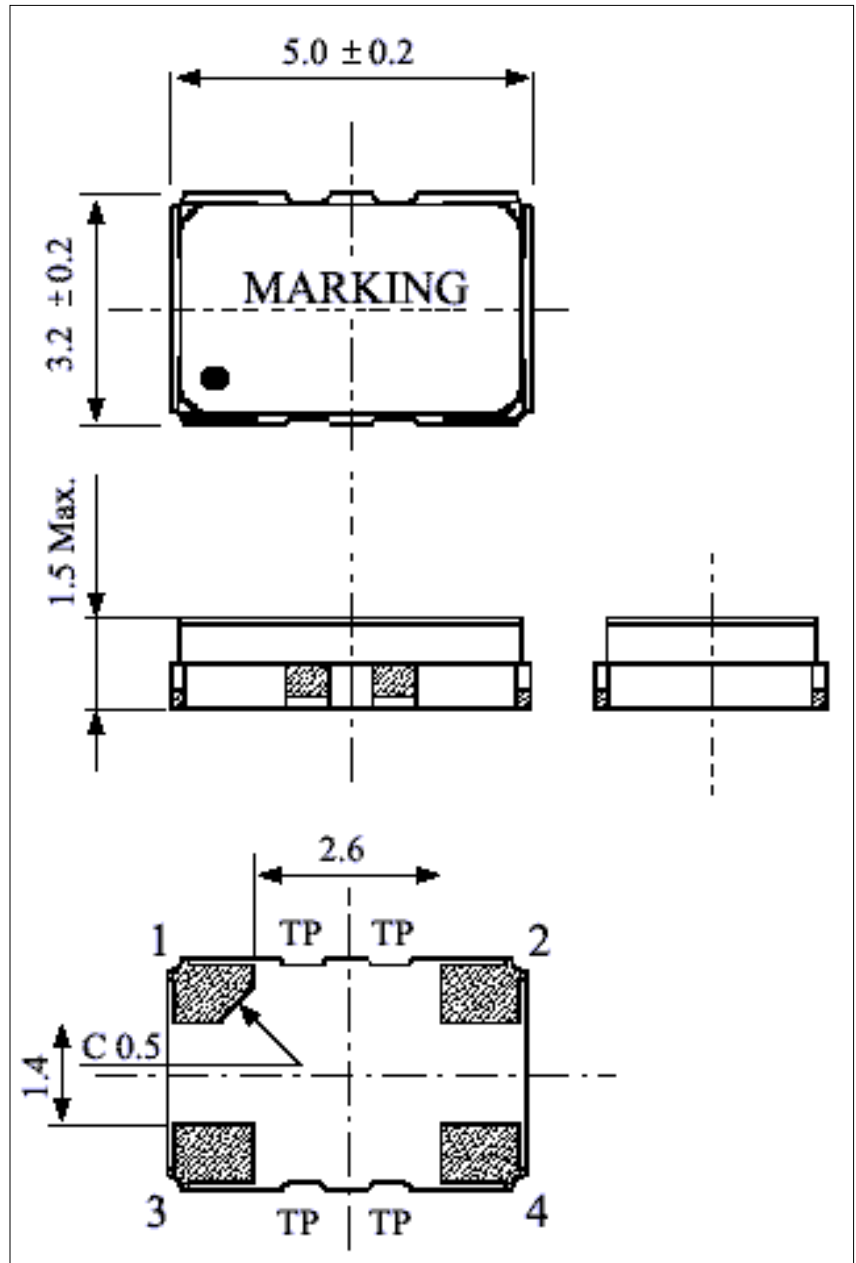
Super Miniature TCXO's / VCTCXO's, 3X5 mm.

MODEL	TC53	TV53
FREQ' RANGE	13.00 to 26.00 MHz	
FREQ' STABILITY VS. TEMPERATURE	See "How - To - Order" instructions (Typical: $\pm 2.5$ PPM )	
FREQ' STABILITY VS. SUPPLY VARIATIONS	$\pm 0.3$ PPM	
FREQ' STABILITY VS. LOAD VARIATIONS	$\pm 0.3$ PPM	
AGING	$\pm 1.0$ PPM Max. for the first year at +25°C	
OPERATING TEMP' RANGE	See "How - To - Order" instructions -10°C to +70°C or -30°C to +75°C	
OUTPUT WAVEFORM	Clipped Sine Wave 0.8V ptp Min.	
LOAD	10K $\Omega$ $\pm$ 10% // 10pF $\pm$ 10%	
SUPPLY VOLTAGE	+3.0 Vdc $\pm$ 5% or +5.0 Vdc $\pm$ 5%	
SUPPLY CURRENT	2.0mA Max.	
<b>VCO CHARACTERISTICS</b>		
VC	2.5V $\pm$ 2.0V for 5.0V	1.5V $\pm$ 1.0V for 3.0V
FREQUENCY PULLING RANGE	$\pm 5$ PPM Min.	
SLOPE	Positive	
SMD PACKAGE	5.0 X 3.2 X 1.5 mm.	

## TC53,TV53

Pin	Function
1	NC / V control
2	GND
3	Output
4	Vcc

Dimensions in mm.



[Super Miniature TCXO's / VCTCXO's, 3X5 mm.](#)

[to top](#)